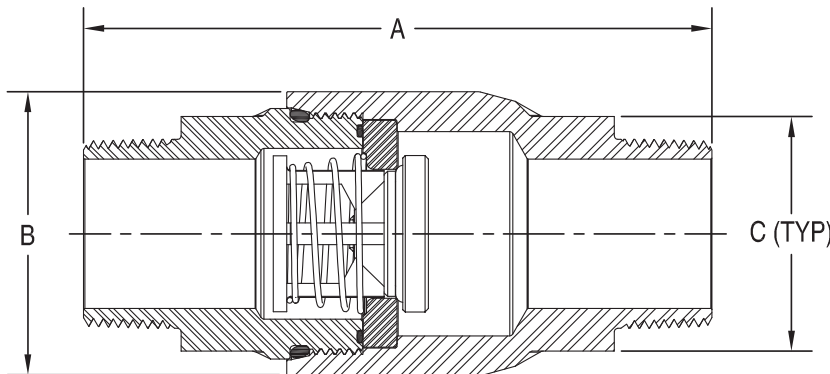




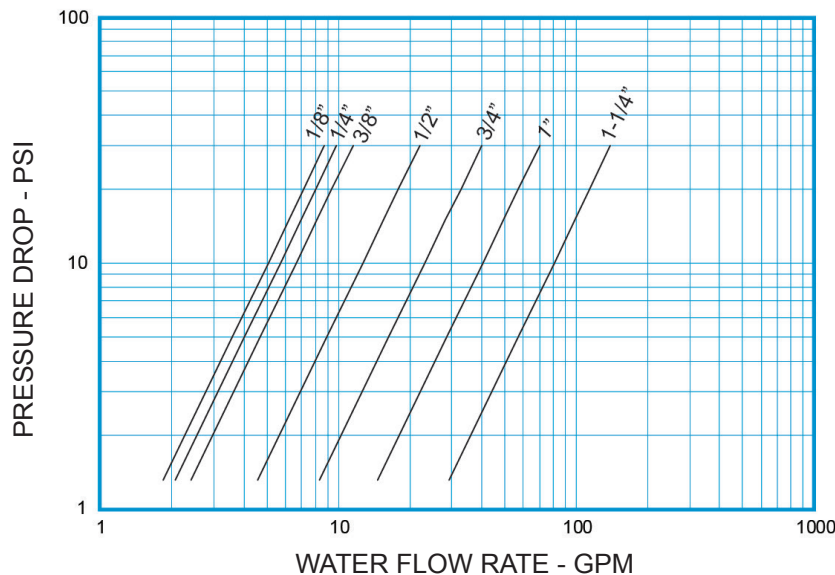
The **EPIC** Male Pipe valve is a poppet style check valve with male NPT threaded connections machined from 300 series stainless steel bar stock with Aflas[®] seat/seals and a 1/2-PSI stainless steel spring setting (cracking pressure) that can be installed in any flow orientation. This check valve achieves a high flow capacity and reduced pressure loss compared to other poppet style check valves of similar sized connections. Additionally, the **EPIC** series incorporates a drop-in replaceable check mechanism (Replaceable Insert Kit sold separately) that is easily installed into the existing body without requiring additional assembly of checking components.

Due to the materials of construction, high flow capacity, field reparability and the quality customers have come to expect from Check-All, the **EPIC** check valves are uniquely suited for a very wide range of applications in liquids, gases and steam.



Nominal Pipe Size	A	O.D. B	Hex Ends C	Part Number
1/8	3.06	1-1/4	1-1/8	EPIC-0125MP
1/4	3.37	1-1/4	1-1/8	EPIC-0250MP
3/8	3.39	1-1/4	1-1/8	EPIC-0375MP
1/2	4.09	1-7/16	1-3/16	EPIC-0500MP
3/4	4.51	1-3/4	1-1/2	EPIC-0750MP
1	5.01	2	1-5/8	EPIC-1000MP
1-1/4	5.52	2-1/2	2-1/8	EPIC-1250MP

EPIC Male Pipe For Water at 72° F



Non-Shock Pressure-Temperature Rating

Recommended service temperature for the **EPIC** series is +10°F to 400°F. Pressure rating is 1500 psi from +10°F to 100°F and 1100 psi at 400°F.

**Style EPIC Male Pipe
C_v Values & Valve Weights**

SIZE	C _v	SS	Part Number
1/8	1.6	9.4 oz.	EPIC-0125MP
1/4	1.8	9.6 oz.	EPIC-0250MP
3/8	2.1	9.6 oz.	EPIC-0375MP
1/2	4.0	13.4 oz.	EPIC-0500MP
3/4	7.3	1.5lb.	EPIC-0750MP
1	12.8	1.8lb.	EPIC-1000MP
1-1/4	25.5	3.2lb.	EPIC-1250MP

Valve weights are approximate.